

IPS-3082GC

>> Industrial 10-port Managed PoE Ethernet Switch with 8x10/100Base-T(X) PSE and 2xGigabit combo port

- Supports **O-Ring** (recovery time < 10ms over 250 units of connection), **Open-Ring**, **O-RSTP**, MSTP/RSTP/STP (IEEE 802.1s/w/D) for Ethernet Redundancy
- 8 port PSE fully compliant with IEEE802.3af standard, provide up to 15.4 Watts per port
- Supports DDM (Digital Diagnostic Monitoring) function
- Supports SNMP v1/v2c/v3 & RMON & Port based/ 802.1Q VLAN Network Management
- Multiple notification for warning of excepted event
- Web-based ,Telnet, Console, CLI, and Windows utility (Open-Vision) configuration
- Support two Gigabit combo port
- Dual Redundant DC power inputs
- Auto IP checking alive of PD equipment
- Support LLDP Protocol



> Features

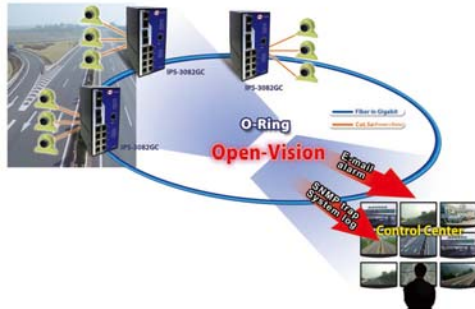
- World's fastest Redundant Ethernet Ring : **O-Ring** (recovery time < 10ms over 250 units of connection)
- **Open-Ring** support the other vendor's ring technology in open architecture
- **O-RSTP** support applications with complex topology
- 8 ports PSE fully compliant with IEEE802.3af standard, provide up to 15.4 Watts per port
- STP/RSTP/MSTP supported
- IGMP snooping for filtering multicast traffic
- Port Trunking for easy of bandwidth management
- SNMP v1/v2c/v3 support for secured network management
- RMON for traffic monitoring
- Supports DDM (Digital Diagnostic Monitoring) function
- Event notification through Syslog, Email, SNMP trap, and Relay Output
- Port lock to prevent access from unauthorized MAC address
- Windows utility (**Open-Vision**) support centralized management and configurable by Web-based ,Telnet, Console, CLI
- Dual redundant DC power inputs of terminal block
- Support two Gigabit combo port
- Very wide operating temperature range from -40 to 70°C
- Rigid IP-30 housing design
- DIN-Rail and panel mounting enabled

> Introduction

IPS-3082GC is managed Redundant Ring Ethernet switch with 8x10/100Base-T(X) ports with PoE (PSE) function & 2x1000 combo ports. With completely support of Ethernet Redundancy protocol, O-Ring (recovery time < 10ms over 250 units of connection), Open-Ring, O-RSTP and MSTP/RSTP/STP (IEEE 802.1s/w/D) can protect your mission-critical applications from network interruptions or temporary malfunctions with its fast recovery technology. IPS-3082GC also support Power over Ethernet, a system to transmit electrical power, along with data, to remote devices over standard twisted-pair cable in an Ethernet network. Each IPS-3082GC switch has 8X10/100Base-T(X) PSE (Power Sourcing Equipment) ports. PSE is a device (switch or hub for instance) that will provide power in a PoE setup. IPS-3082GC support new DDM (Digital Diagnostic Monitoring) function, which can monitor instantly the status of electronic voltage, current and temperature. All function of IPS-3082GC can be managed centralized and convenient by a powerful windows utility — Open-Vision. In addition, the wide operating temperature range from -40 to 70°C can satisfy most of operating environment. Therefore, the switch is one of the most reliable choice for highly-managed and Fiber Ethernet application with PoE function.

> Open-Vision

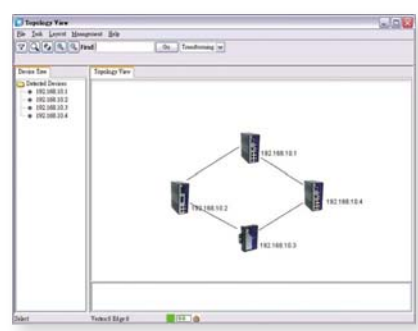
ORing's switches are intelligent switches. Being different from other traditional redundant switches, ORing provides a set of Windows utility (**Open-Vision**) for users to manage and monitor all of industrial Ethernet switches on the industrial network.



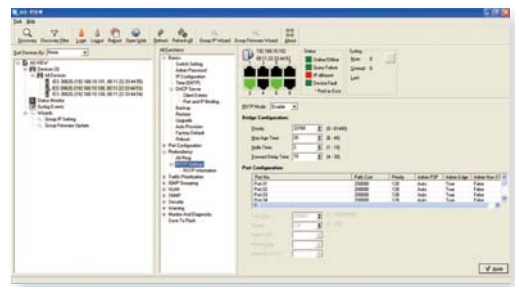
Network connection



DDM function

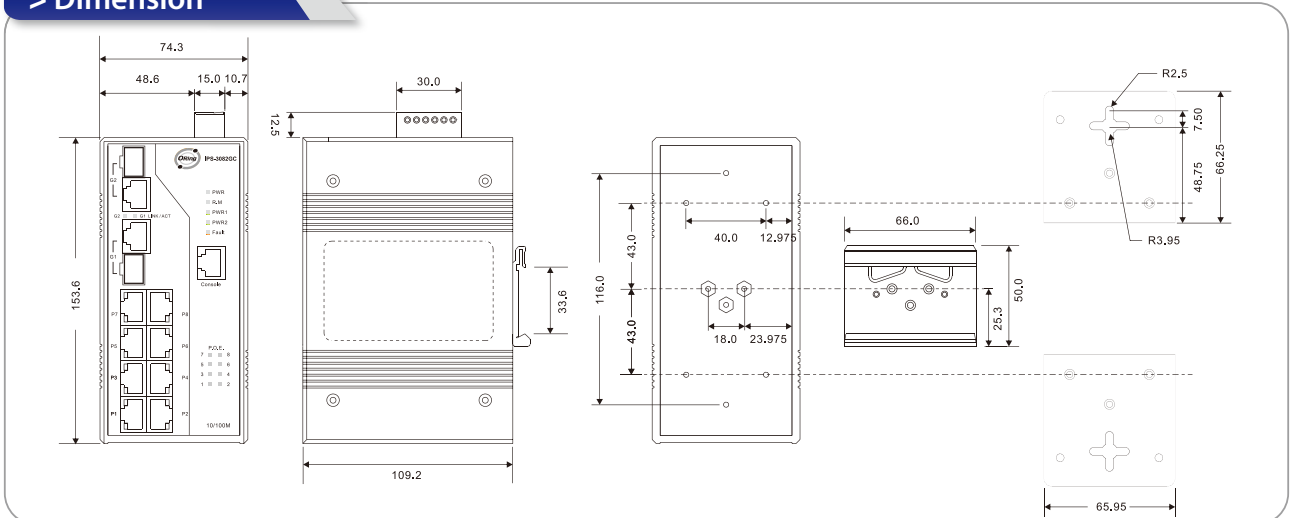


Topology View



Monitoring and Configuration interface

> Dimension



(Unit=mm)

> Specifications

ORing Switch Model	IPS-3082GC
Physical Ports	
10/100Base-T(X) Ports in RJ45 Auto MDI/MDIX with P.S.E	8
1000 combo in RJ-45 and SFP	2
Technology	
Ethernet Standards	IEEE 802.3 for 10BaseT, IEEE 802.3u for 100BaseT(X) and 100BaseFX, IEEE 802.3x for Flow control IEEE 802.3ad for LACP (Link Aggregation Control Protocol) IEEE 802.1D for STP (Spanning Tree Protocol) IEEE 802.1p for COS (Class of Service) IEEE 802.1Q for VLAN Tagging IEEE 802.1w for RSTP (Rapid Spanning Tree Protocol) IEEE 802.1s for MSTP (Multiple Spanning Tree Protocol) IEEE 802.1x for Authentication IEEE 802.1AB for LLDP (Link Layer Discovery Protocol) IEEE 802.3af PoE specification (up to 15.4 Watts per port for PSE)
MAC Table	8192 MAC addre
Priority Queues	4
Processing	Store-and-Forward
Switch Properties	Switching latency: 7 us Switching bandwidth: 5.6Gbps Max. Number of Available VLANs: 4096 IGMP multicast groups: 1024 Port rate limiting: User Define
Security Features	Enable/disable ports, MAC based port security Port based network access control (802.1x) VLAN (802.1Q) to segregate and secure network traffic Radius centralized password management SNMPv3 encrypted authentication and access security
Software Features	STP/RSTP/MSTP (IEEE 802.1D/w/s) Redundant Ring (O-Ring) with recovery time less than 10ms over 250 units TOS/Diffserv supported Quality of Service (802.1p) for real-time traffic VLAN (802.1Q) with VLAN tagging and GVRP supported IGMP Snooping for multicast filtering Port configuration, status, statistics, monitoring, security
Network Redundancy	O-Ring Open-Ring O-RSTP STP RSTP MSTP
DDM Function	Voltage / Current / Temperature
RS-232 Serial Console Port	RS-232 in RJ45 connector with console cable. 9600bps, 8, N, 1
LED Indicators	
Power /PoE Indicator	Green : Power LED x 3, Green : PoE LED x 8
R.M. Indicator	Green : indicate system operated in O-Ring mode
Fault Indicator	Amber : Indicate excepted event occurred
10/100Base-T(X) RJ45 Port Indicator	Green for port Link/Act. Amber for Duplex/Collision
10/100/1000Base-T(X) RJ45 Port Indicator	Green for port Link/Act. Amber for 100Mbps indicator
1000Base-X / Fiber Port Indicator	Green for port Link/Act.

Fault contact	
Relay	Relay output to carry capacity of 1A at 24VDC
Power	
Redundant Input Power	Dual DC inputs. 48VDC on 6-pin terminal block
Power Consumption (Typ.)	9 Watts (Power consumption of PSE not included)
Overload Current Protection	Present
Reverse Polarity Protection	Not Presented
Physical Characteristic	
Enclosure	IP-30
Dimension (W x D x H)	74.3(W)x109.2(D)x153.6(H) mm (2.93 x 4.3 x 6.05 inch.)
Weight (g)	1100 g
Environmental	
Storage Temperature	-40 to 85°C (-40 to 185°F)
Operating Temperature	-40 to 70°C (-40 to 158°F)
Operating Humidity	5% to 95% Non-condensing
Regulatory approvals	
EMI	FCC Part 15, CISPR (EN55022) class A
EMS	EN61000-4-2 (ESD), EN61000-4-3 (RS), EN61000-4-4 (EFT), EN61000-4-5 (Surge), EN61000-4-6 (CS), EN61000-4-8, EN61000-4-11
Shock	IEC60068-2-27
Free Fall	IEC60068-2-32
Vibration	IEC60068-2-6
Safety	EN60950
Warranty	5 years

> Ordering Information

IPS-3 **AA** **B** **CC**

Code Definition	10/100Base-T(X) Port Number	Additional Port Number	Additional Port Type
Option	- 08 : 8 ports	- 2 : 2 ports	- GC : 1000 combo with SFP

Available Model	Model Name	Description
	IPS-3082GC	Industrial 10-port Managed PoE Ethernet Switch with 8 x10/100Base-T(X) PSE with 2 xGigabit combo ports